



Your contact details:

Title:	<input type="text"/>	Street:	<input type="text"/>
Name:	<input type="text"/>	ZIP/postal code, city:	<input type="text"/>
Company:	<input type="text"/>	Country:	<input type="text"/>
Customer no.:	<input type="text"/>	E-mail:	<input type="text"/>
		Phone:	<input type="text"/>

Ordering spare parts

The spare parts for Type 3271 are listed on the next pages. This document can also be used for ordering:

1. Fill in your contact data and information on the product.
2. Enter the quantity of spare parts needed.
3. Click [Send form] button to attach the PDF form to an e-mail.
4. Attach additional information (e.g. invoice, photos) to the e-mail, if necessary.
5. Send e-mail to spareparts@samsongroup.com.

Either

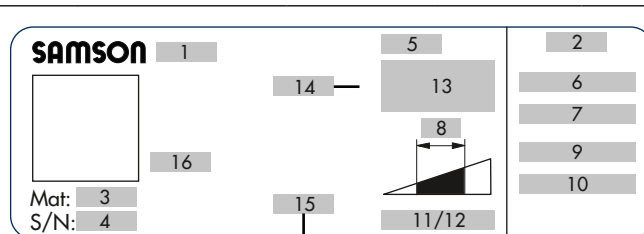
Configuration ID (Var-ID):

or

SAMSON order no.:

Position in order:

or



1	Type number	3271	13	Fail-safe action
2	Country of origin			Manual override
4	Serial number		14	Diaphragm material
5	Actuator area		15	Connecting thread
6 and 7	Bench range in bar and psi		16	Date of manufacture
8	Operating travel in mm			Operating medium
9 and 10	Operating range in bar and psi			
11 and 12	Permissible supply pressure pmax in bar or psi			

Send form

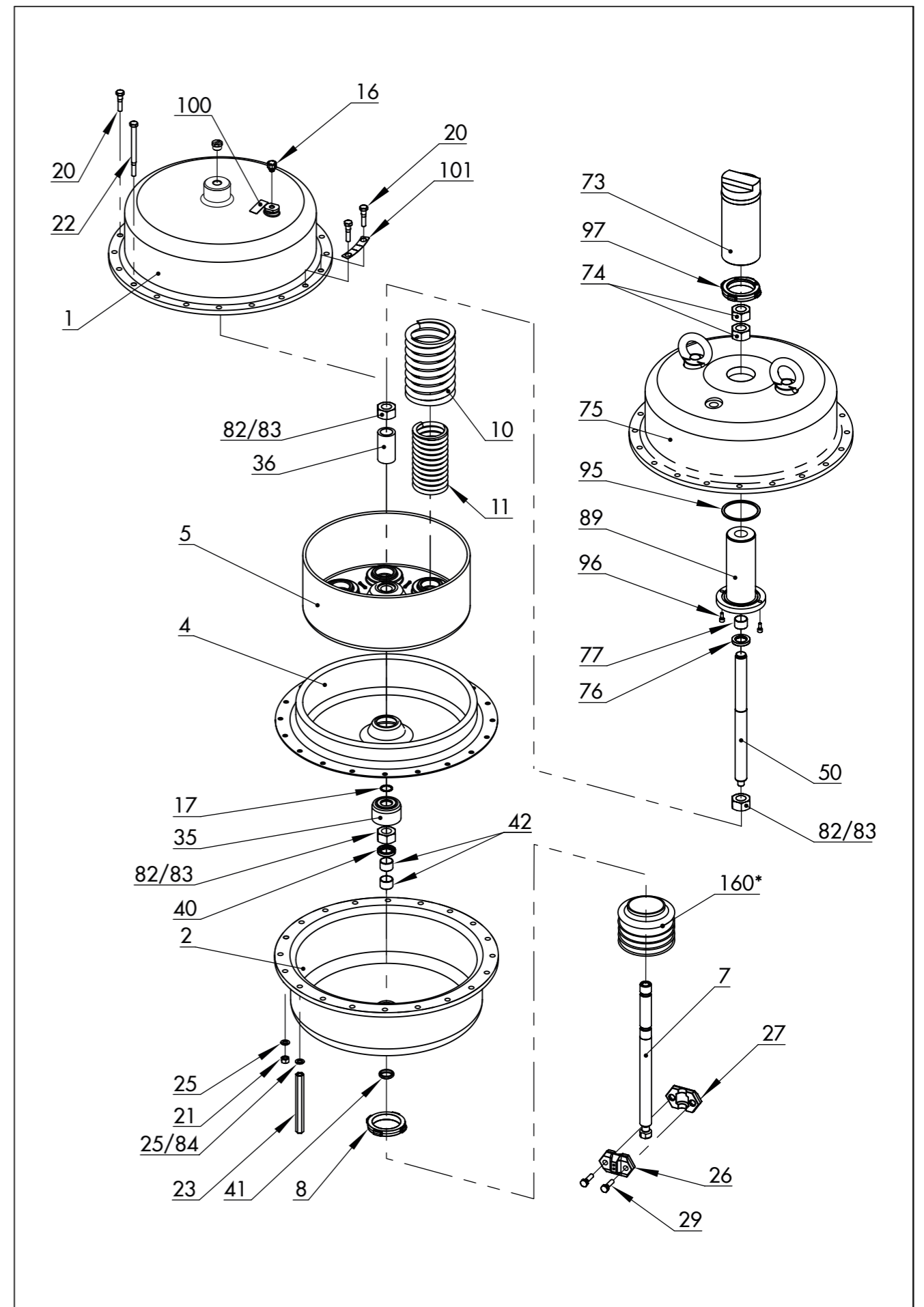
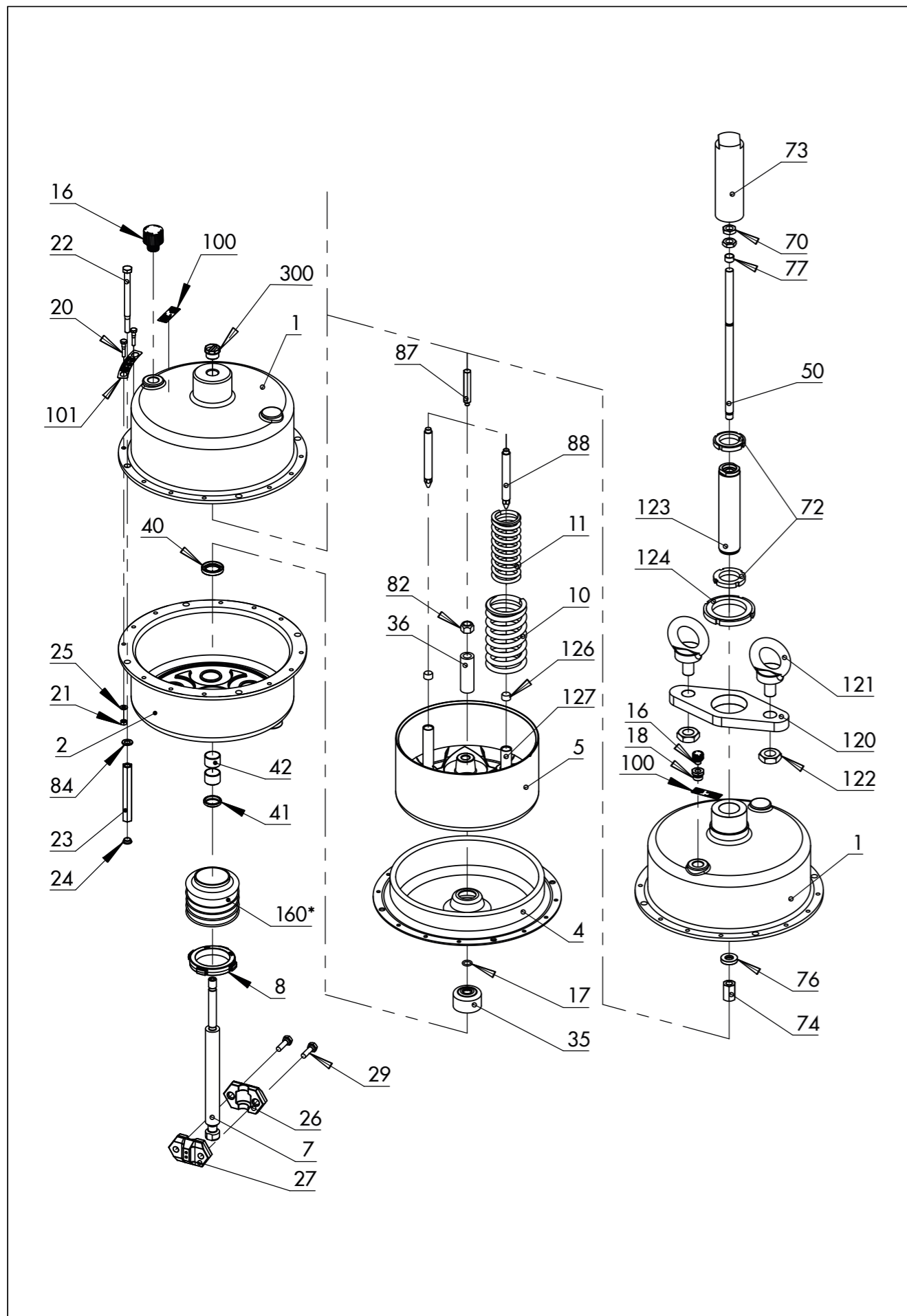
Print form

Clear form

Edition August 2020

Spare Parts List

EL 8310-7 EN



Specifications subject to change without notice
